

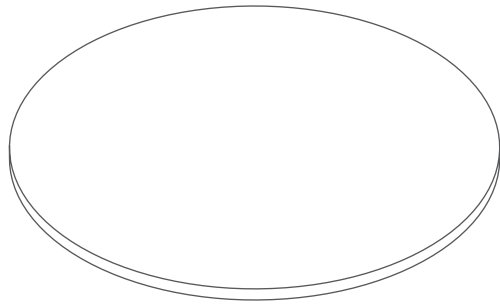
---

## Team 3-Leg Round Table

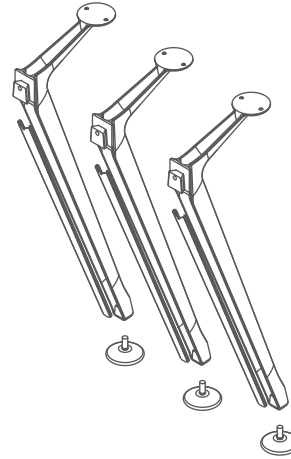
Assembly Instructions

# Team 3-Leg Round Table

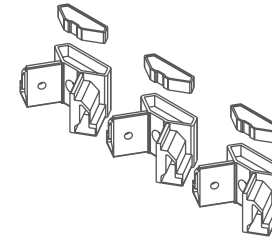
## Components List



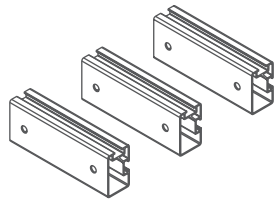
Axis Worktop



3 x Leg



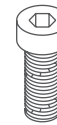
3 x 2-Way Connector & Cap



3 x Rails



6 - M8 x 12mm  
(Dome head)

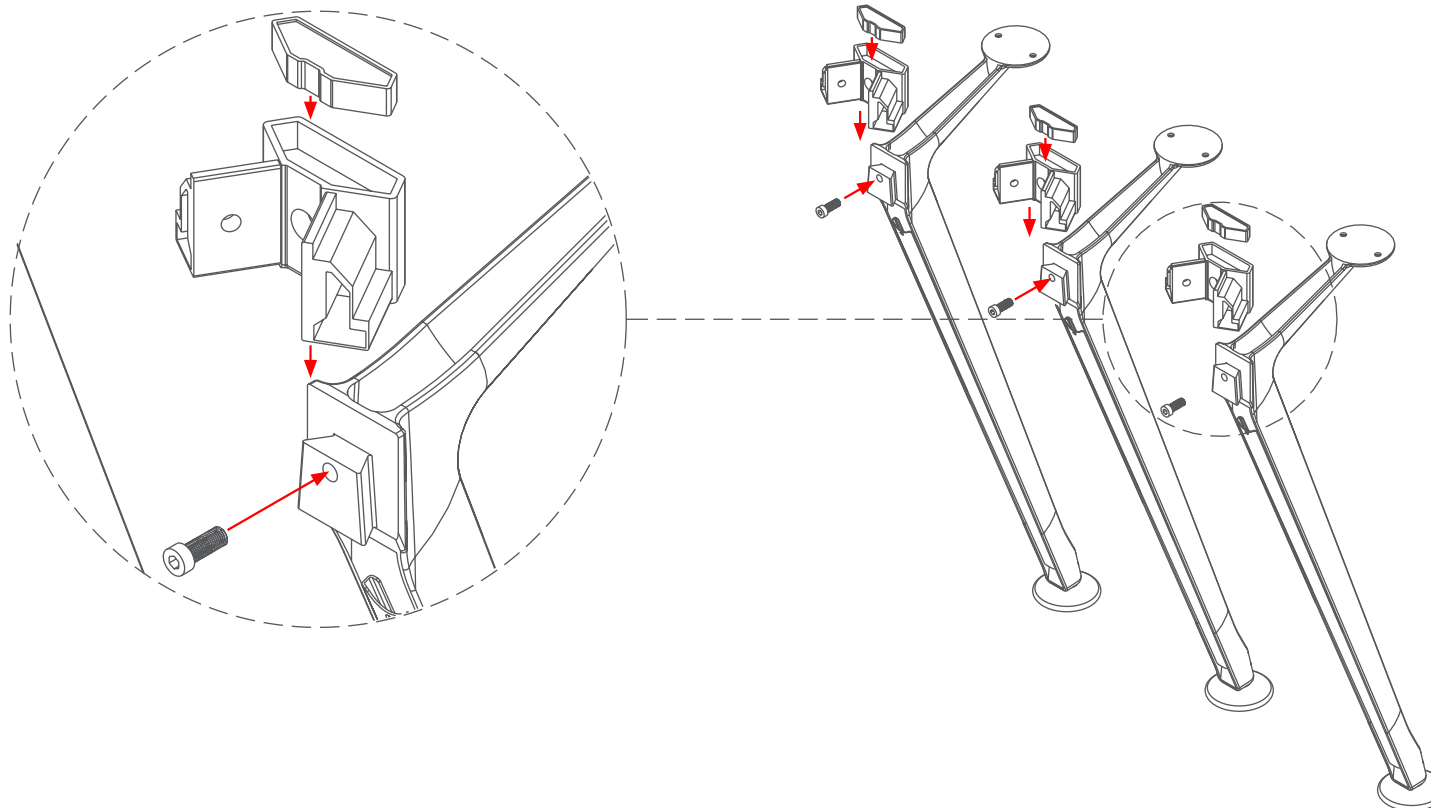
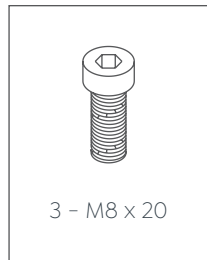


3 - M8 x 20mm  
(Cap head)



6 - M5 x 20mm  
Self-Tapping

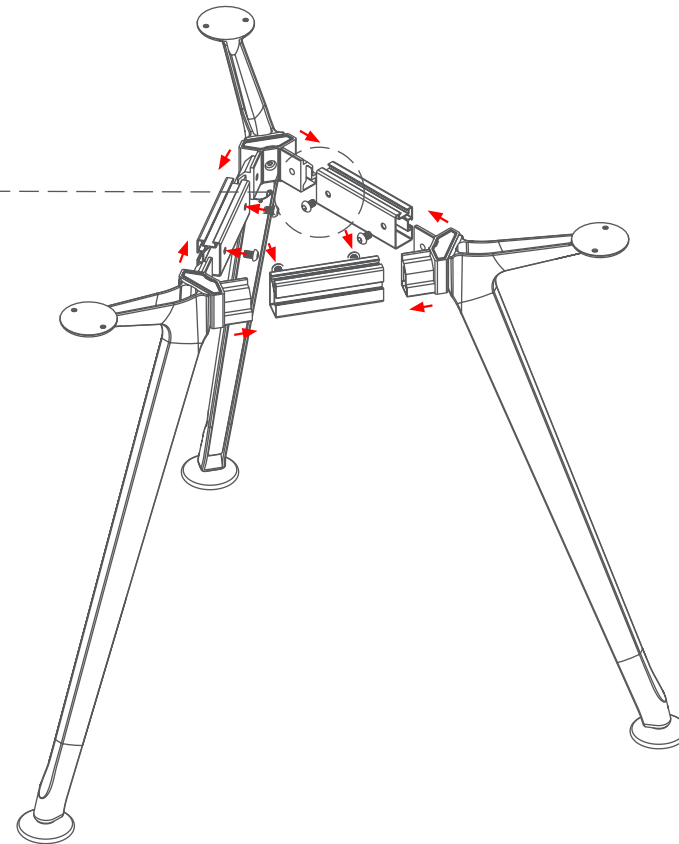
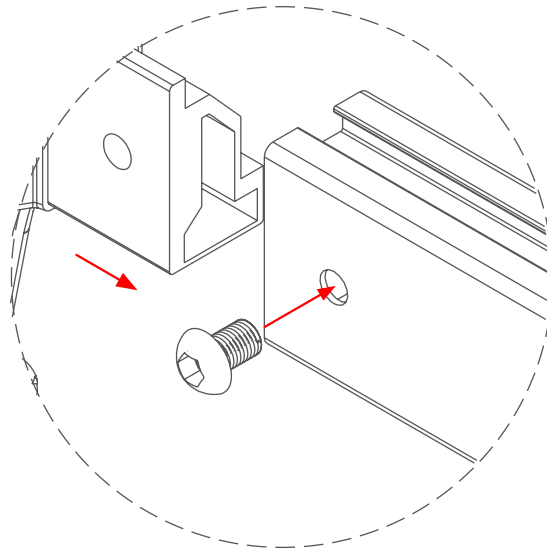
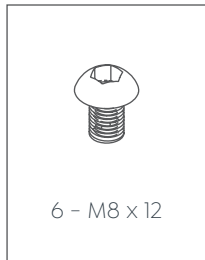
## STEP 1:



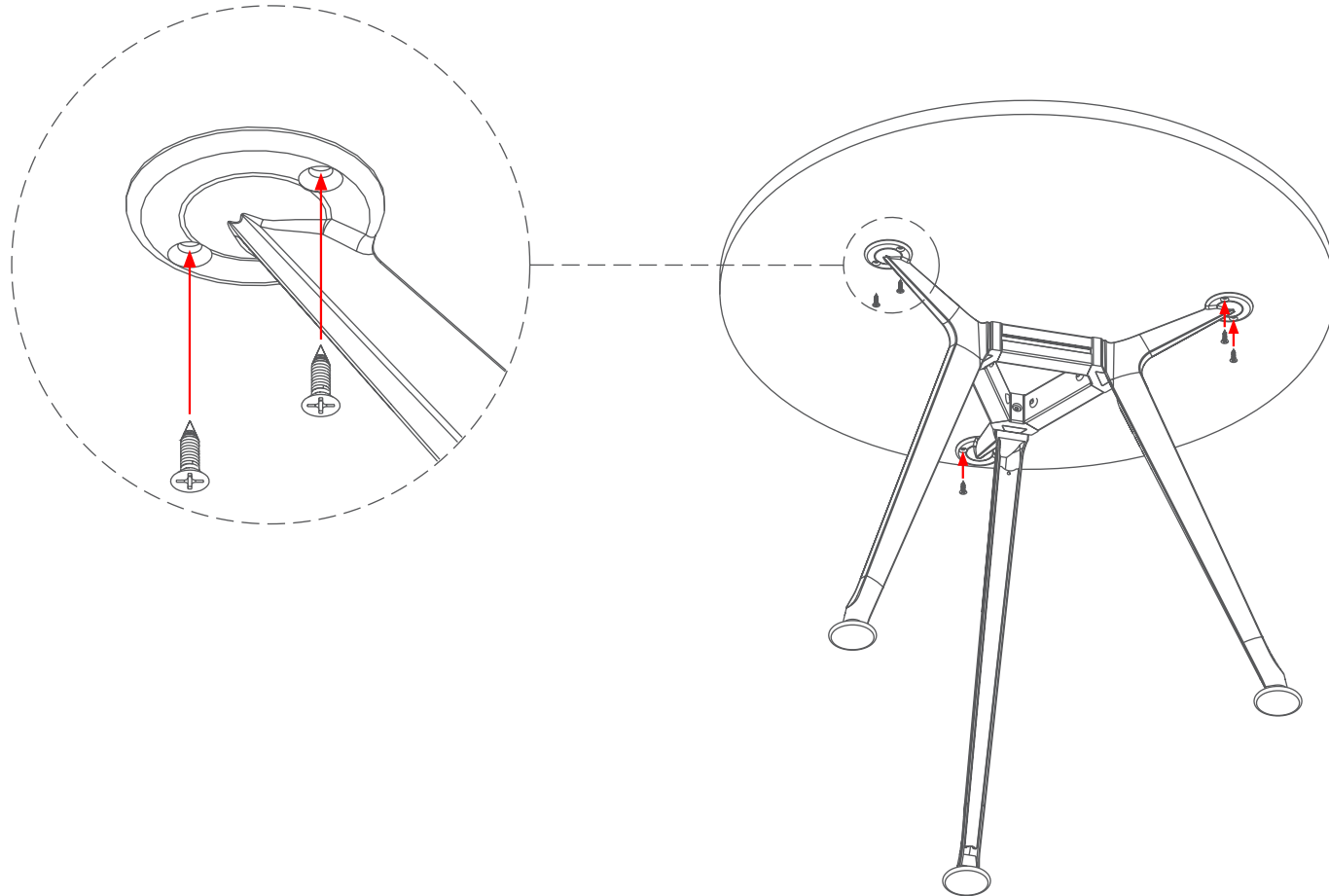
# Team 3-Leg Round Table

## Assembly Instructions

### STEP 2:



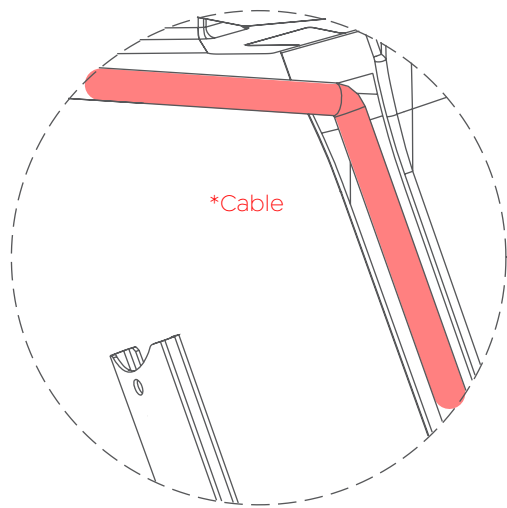
## STEP 3:



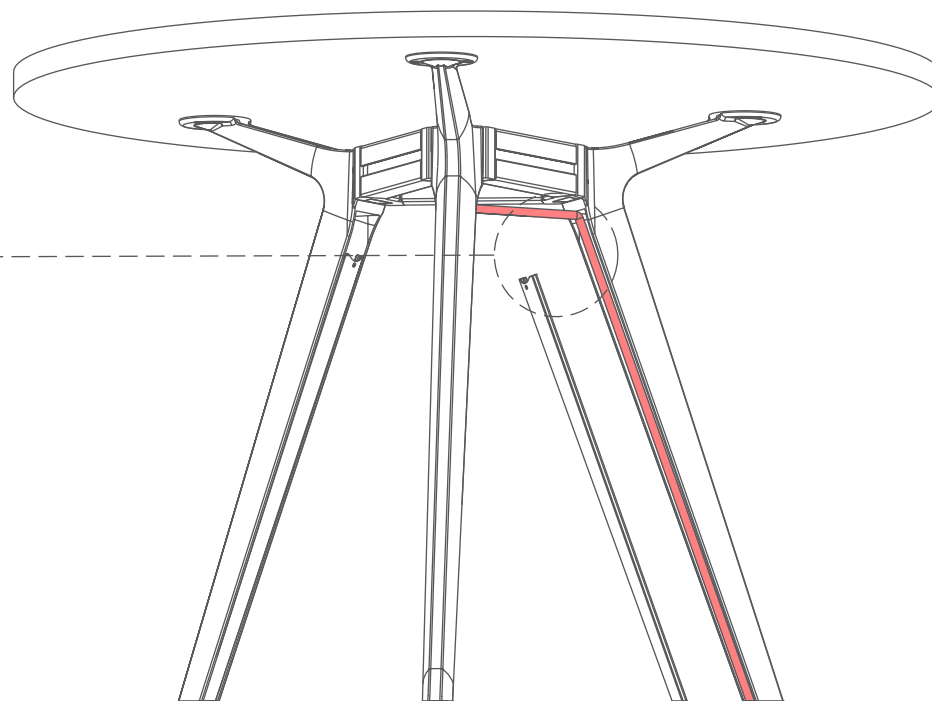
# Team 3-Leg Round Table

## Assembly Instructions

### STEP 4:



Conceal any power box cables using the leg cable covers.



# Team 3-Leg Round Table

Assembly Instructions

**Complete:**

